

hydrovar® X

INTEGRATED MOTOR & VARIABLE SPEED DRIVE SOLUTIONS
Ultra-Premium Efficiency, Connectivity and Simplicity

Xylem's hydrovar® X line of products combine ultra-premium efficient motors with integrated variable speed drives and pumps. The result is intelligence, performance, connectivity, and simplicity in one comprehensive package, from one reliable source - Goulds Water Technology.

Simple: Built-in application software makes hydrovar X one of the easiest drives to commission, program and operate, enabling virtually any configuration of pumps.

Sustainable: No rare earth materials are used to minimize product availability challenges and address environmental concerns while offering smart technology and superior performance.

Intelligent performance: Advanced system controls (up to 8 pumps) are customizable for a wide range of applications. The IE5 "ultra-premium" hydrovar X smart motor provides one of the broadest efficiency ranges in the industry.

Flexible: hydrovar X solutions feature the right combination of motors, variable speed drives and pumps to ensure great performance and a rapid return on investment in nearly any application.

Built-in protections: Integrated functions provide protection for the pump and motor while optimizing performance.

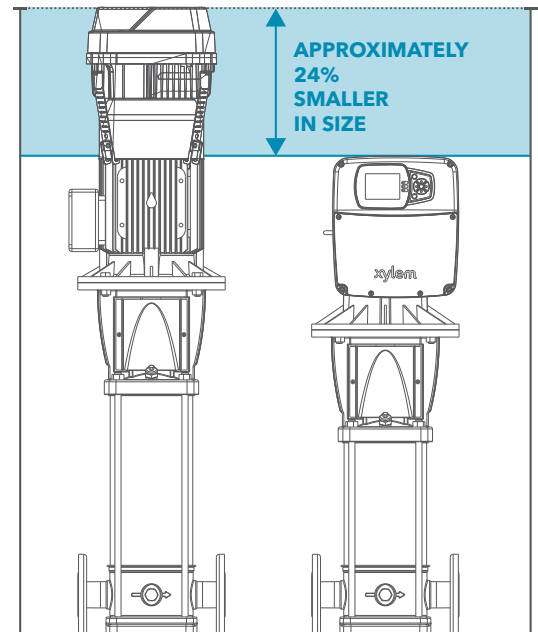
Easy service: VFD and/or motor can be easily replaced individually, minimizing downtime and expensive repair.



Separate quick connect components allow users to replace the drive or the motor independently. The integrated electrical socket requires no additional wiring, allowing a true plug and play solution versus buying a new motor and drive combination.

5th generation Hydrovar®

new design hydrovar® X



Compact motor design: hydrovar X motors offer higher performance with a reduced footprint when compared to the legacy generation Hydrovar solution. Increased performance reduces electricity consumption and lowers life cycle costs.

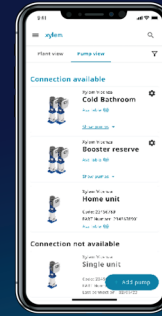
Unleash the power of hydrovar X!

Don't hold back your imagination!

With the graphical color display, you can quickly set-up and navigate the menu of your unit: check all the parameters and choose the perfect unit configuration to fit your installation. No time to do it? Genie will start up and run the unit for you!



Check your systems from wherever



Download the mobile app



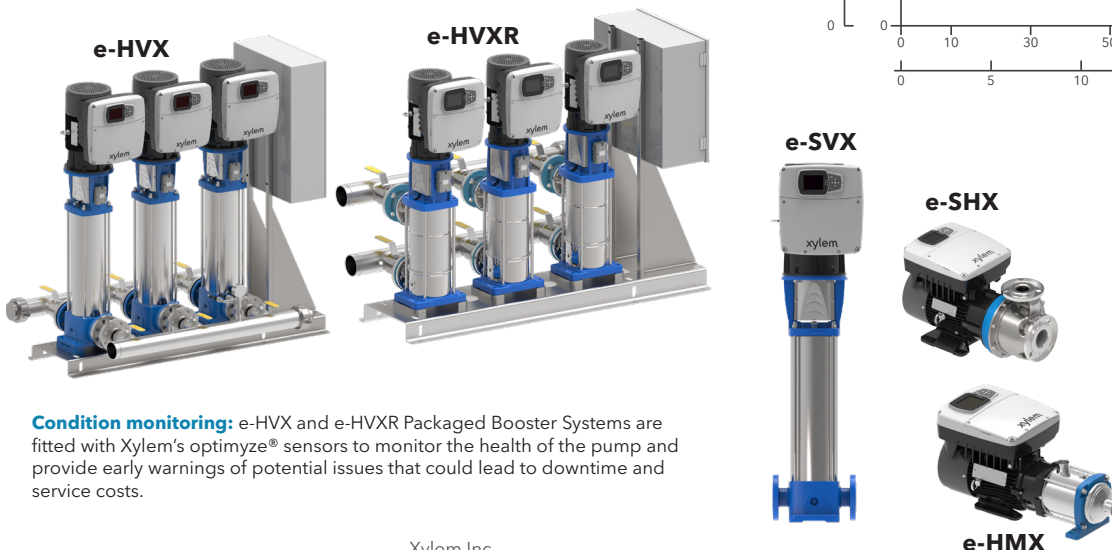
hydrovar X and Avensor, better together!

hydrovar X can communicate with Avensor, Xylem's IoT platform, for a complete overview of all connected assets, anytime, anywhere. Avensor collects historical data to analyze trends and generate alerts preventing failures and equipment downtime.

hydrovar X Smart Motor Specifications

Display:	Graphic Color
Controls modes:	Actuator, Constant Pressure. Proportional Pressure, Proportional Quadratic Pressure, Constant Flow, Constant Temperature, Constant Level
Multi-Pump:	up to 8 pumps
Enclosure:	IP55/NEMA4
Working temperature:	-4°/+122°F (-20°/+50°C)
Communication Protocols:	MODBUS® RTU, BACnet MS/TP
Features:	IE5 synchronous motor
Mobile App:	Bluetooth®

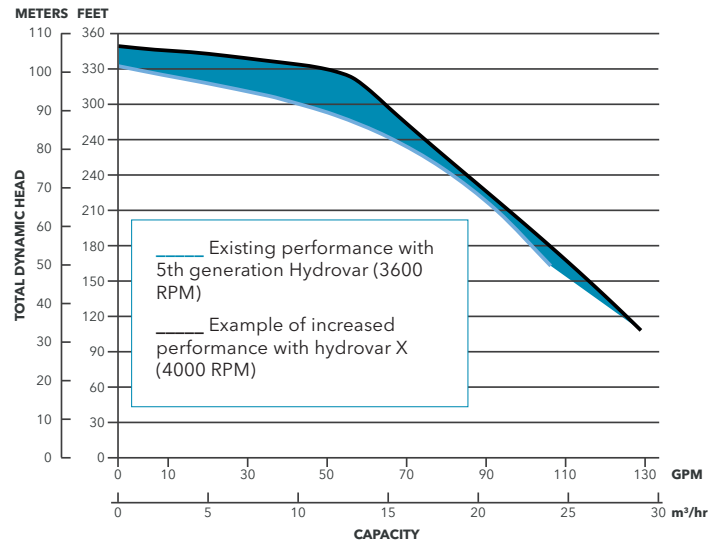
Goulds Water Technology hydrovar X Product Family



Condition monitoring: e-HVX and e-HVXR Packaged Booster Systems are fitted with Xylem's optimize® sensors to monitor the health of the pump and provide early warnings of potential issues that could lead to downtime and service costs.

Performance

(representative example of increased performance with hydrovar X)



Learn more about the Goulds Water Technology hydrovar X product family



Xylem Inc.
www.xylem.com/goulds

Xylem and Hydrovar are registered trademarks of Xylem Inc. or one of its subsidiaries. Goulds is a registered trademark of ITT Manufacturing Enterprises LLC and is used under license. MODBUS is a registered trademark of Schneider Electric USA, Inc. The Bluetooth word mark and logos are registered trademarks owned by Bluetooth SIG, Inc. and any use of such marks by Xylem Inc. or one of its subsidiaries is under license. All other trademarks or registered trademarks are property of their respective owners.